

SAW Filter 153.60MHz
Part No: MP04982

Model: TB1090A
Rev No: 2

A. MAXIMUM RATING:

Electrostatic Sensitive Device

1. Operating temperature range: -10°C to 80°C
2. Storage temperature range: -40°C to 85°C
3. Input Power Level: 10dBm
4. Maximum DC Voltage: 10V

B. CHARACTERISTICS:

Item	Unit	Min.	Typ.	Max.
Center frequency Fc	MHz	-	153.6	-
Insertion Loss IL	dB	-	21.8	23.5
-3dB bandwidth	MHz	80	85	-
Passband Ripple Fc ± 36MHz	dB	-	0.4	1.0
Group Delay Variation Fc ± 36MHz	ns	-	21	-
Absolute Group Delay at Fc	ns	-	513	-
Attenuation (Reference level from minimum Insertion loss)				
DC ~ 93MHz	dB	32	38	-
213MHz ~ 400MHz	dB	32	39	-
Temperature Coefficient	ppm/°C	-	-72	-
Source Impedance	Ohm	-	50	-
Load Impedance	Ohm	-	50	-

SAW Filter 153.60MHz
Part No: MP04982

Model: TB1090A
Rev No: 2

C. FREQUENCY CHARACTERISTICS:

1. Narrow band Response: (span 200MHz)

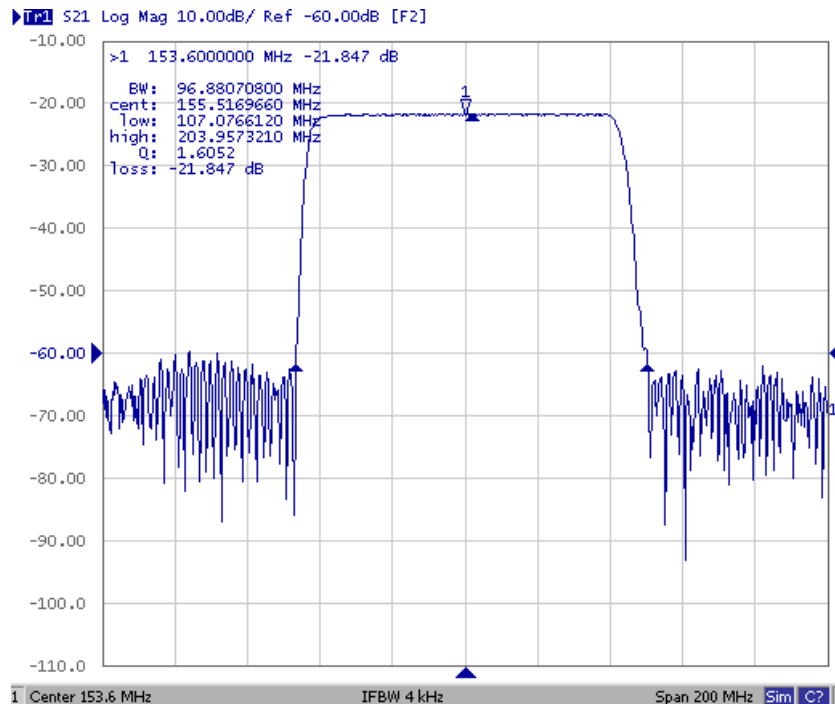


Fig. 1. Horizontal: 20MHz / Div, Vertical: 10Db / Div

2. Pass band Response and Group Time Delay Response: (span 120MHz)

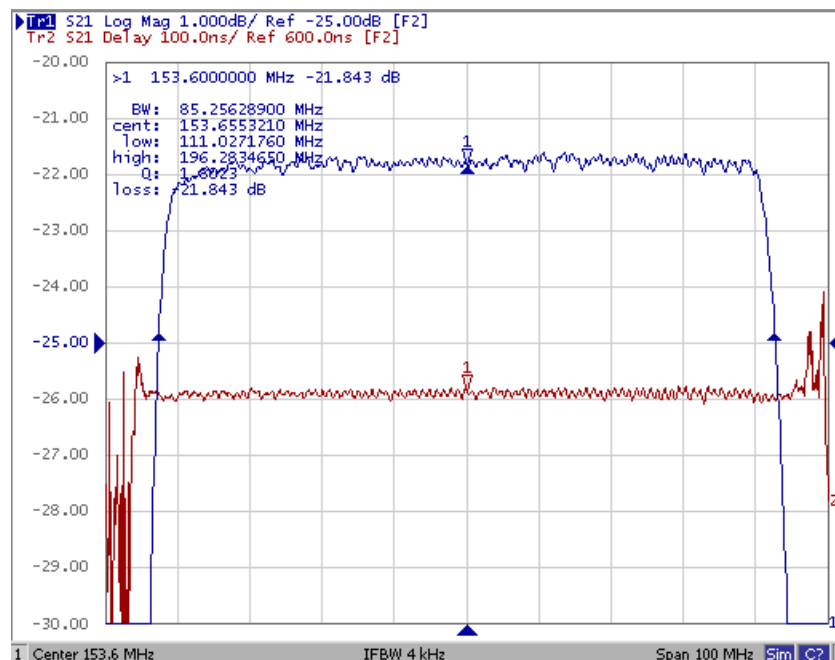


Fig. 2. Horizontal: 10MHz / Div, Vertical: 1dB / Div, Vertical: 100ns / Div

SAW Filter 153.60MHz
Part No: MP04982

Model: TB1090A
Rev No: 2

3. Wide band Response

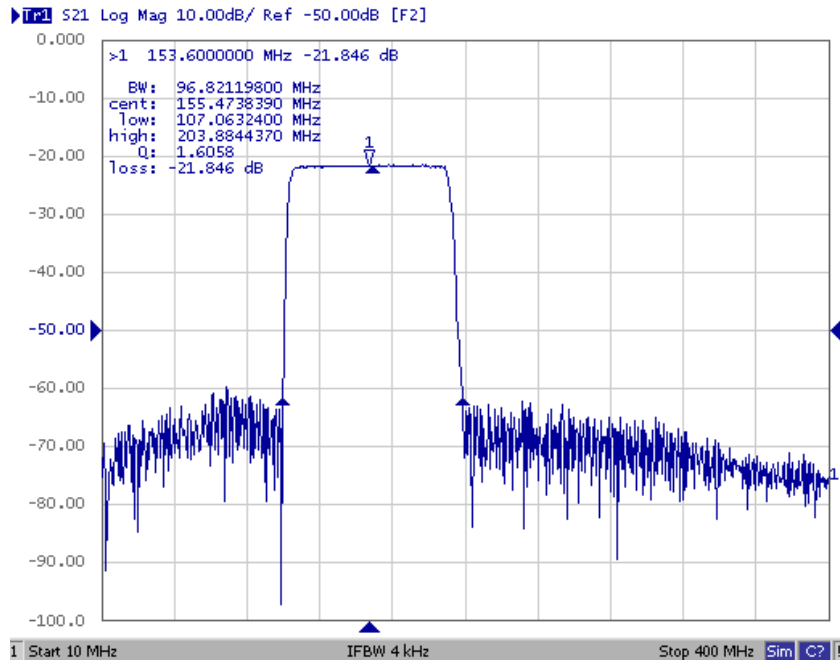
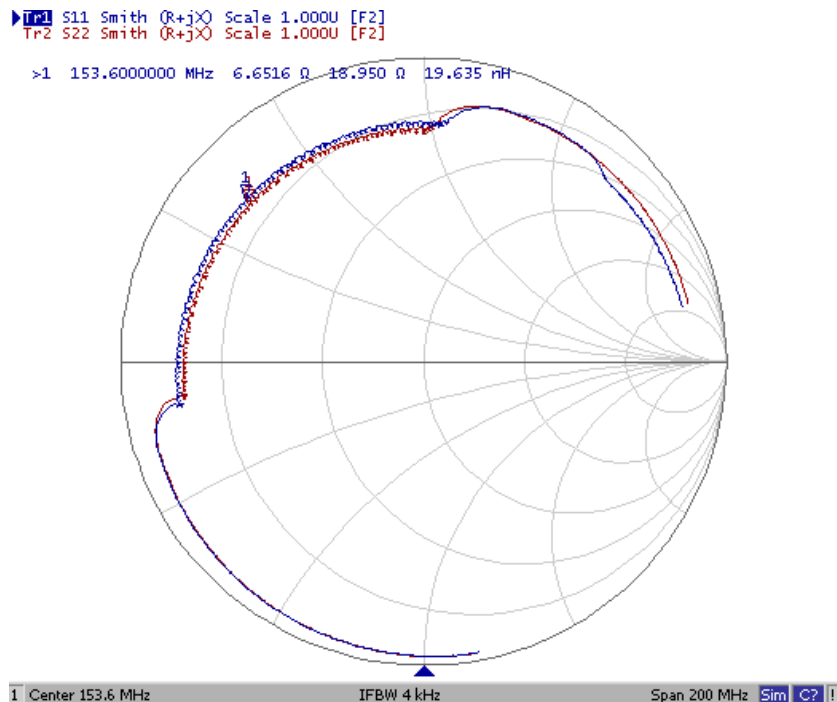


Fig. 3. Horizontal: 39MHz / Div, Vertical: 10dB / Div

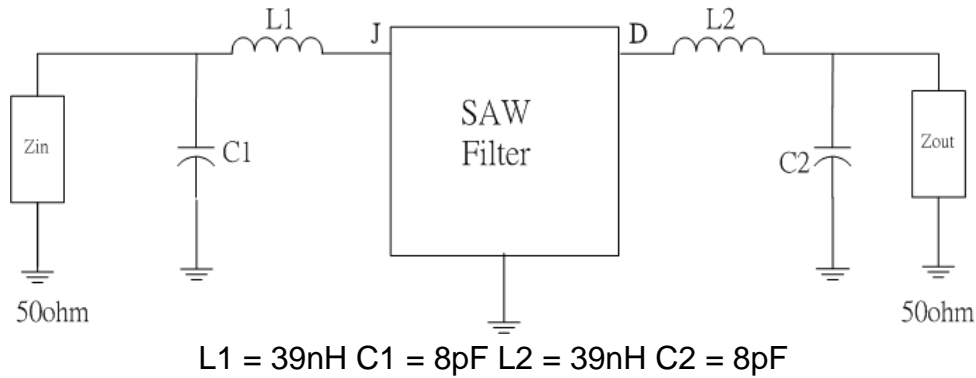
4. Smith Chart



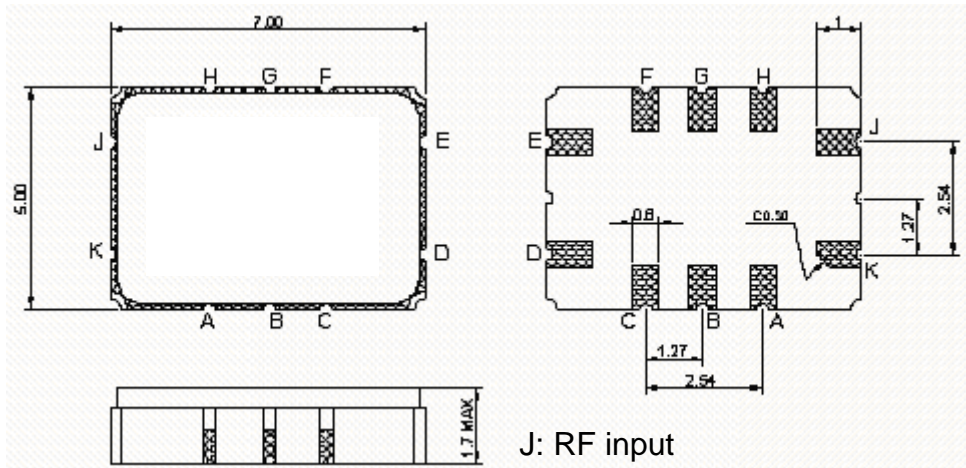
SAW Filter 153.60MHz
Part No: MP04982

Model: TB1090A
Rev No: 2

D. MATCHING CIRCUIT:

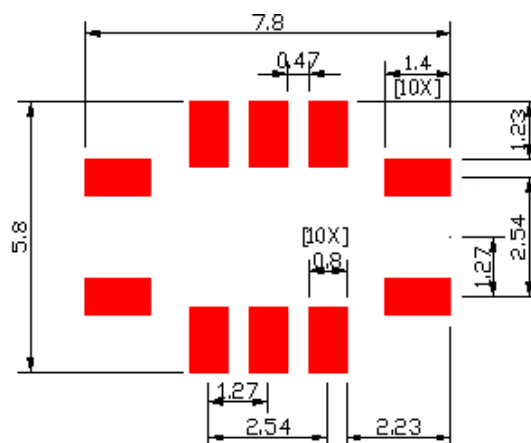


E. OUTLINE DRAWING:



- J: RF input
 - K: RF input ground
 - D: RF output
 - E: RF output ground
 - A, B, C, F, G, H: Ground
- Unit: mm

F. PCB FOOTPRINT:



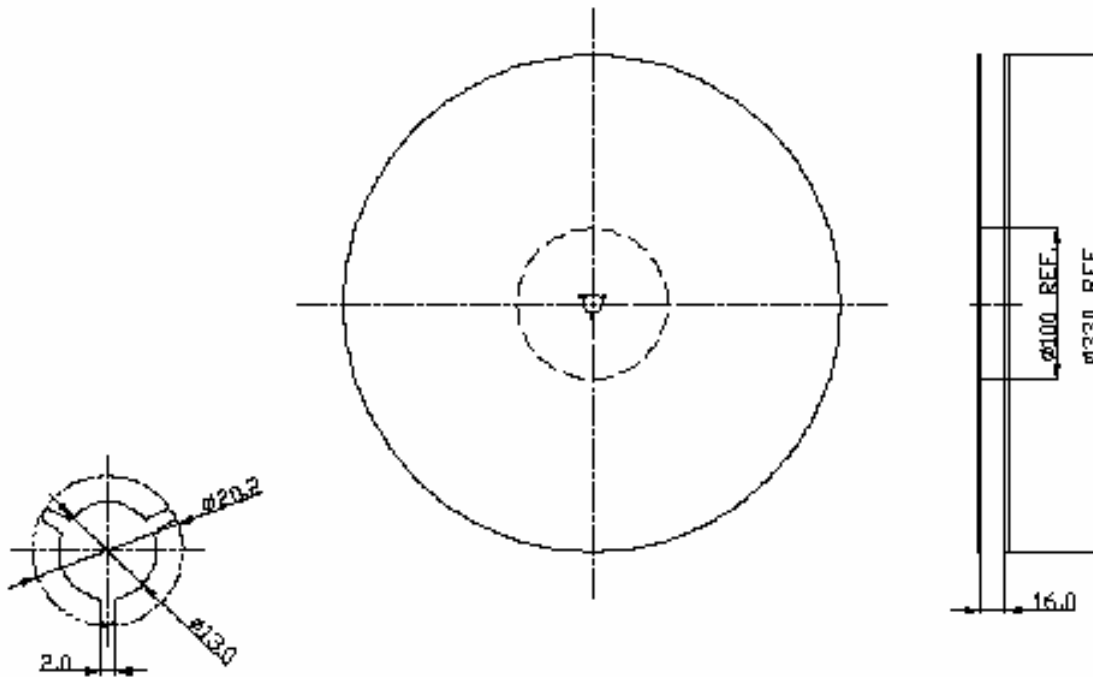
SAW Filter 153.60MHz
Part No: MP04982

Model: TB1090A
Rev No: 2

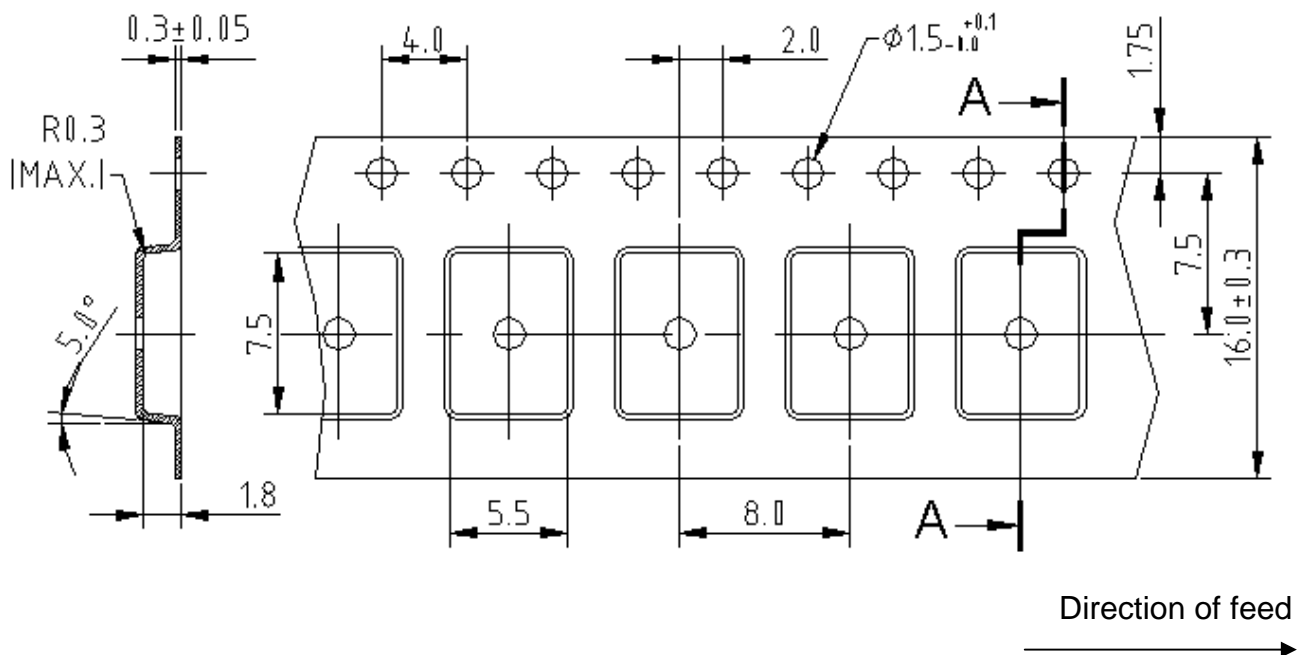
G. PACKING:

1. Reel dimension

(Please refer to FR-75D10 for packing quantity)



2. Tape Dimension



SAW Filter 153.60MHz
Part No: MP04982

Model: TB1090A
Rev No: 2

H. RECOMMENDED REFLOW PROFILE:

